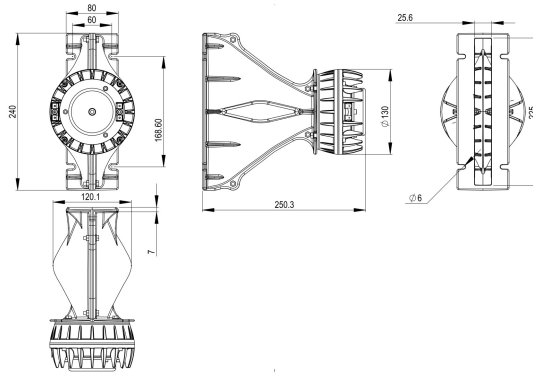
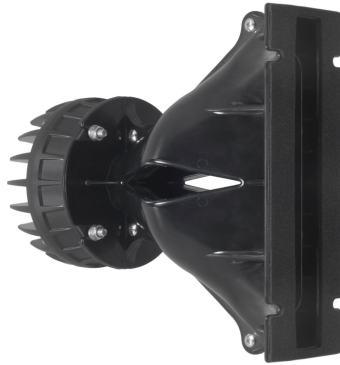


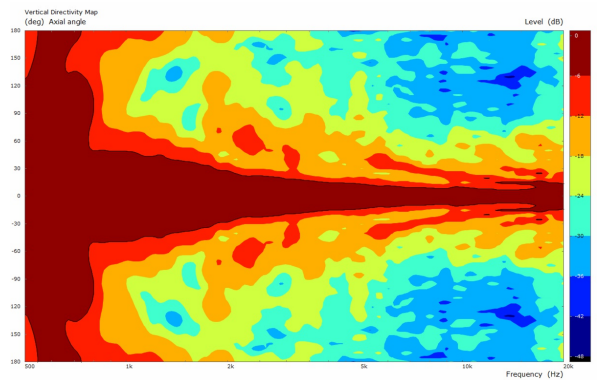
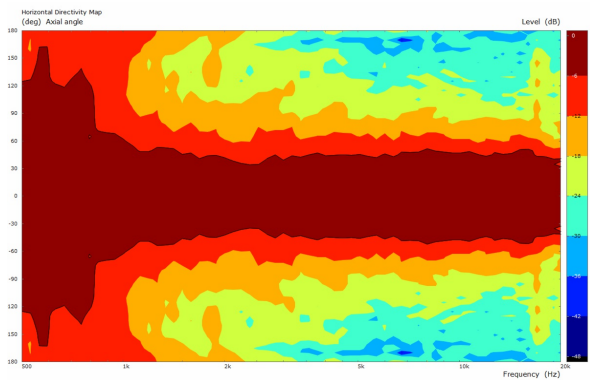
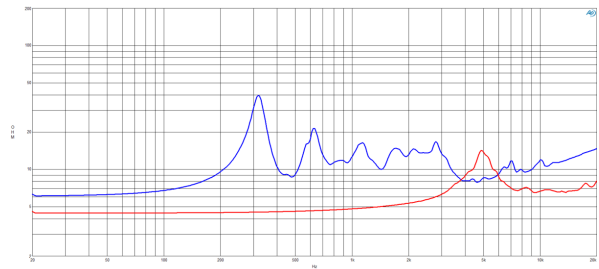
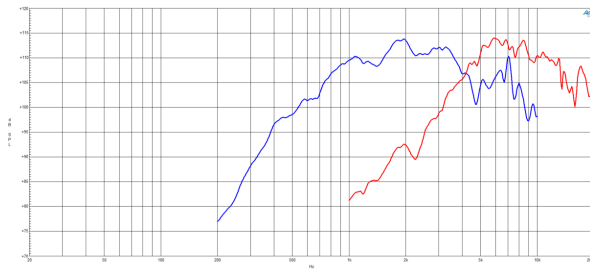
WG148-354

8Ω**Horn/Driver Combinations - 1.4 Inches**

- Line Array optimized Waveguide with DCX354-8 driver
- Time coherent coaxial ring radiator design
- 120° max horizontal coverage
- 110.1 dB sensitivity
- 180 W continuous program power capacity
- Neodymium magnet assembly

WG148-354

Horn/Driver Combinations- 1.4 Inches



SPECIFICATIONS¹

Nominal Impedance	8 Ω
Horizontal Coverage	120 ° Max
Active Radiating Factor	93.3 %
Waveguide Material	ABS

SPECIFICATIONS HF UNIT

Minimum Impedance	6.5 Ω
Nominal Power Handling ²	50 W
Continuous power handling ³	100 W
Sensitivity (1W/1m) ⁴	110.1 dB
Frequency Range	5.0 - 20.0 kHz
Voice Coil Diameter	51 mm (2.0 in)
Flux Density	1.96 T
Recommended Crossover ⁵	4.5 kHz
HF Inductance	0.1 mH
Winding Material	Aluminium
Diaphragm Material	HT Polymer
Magnet Material	Neodymium

SPECIFICATIONS MF UNIT

MF Minimum Impedance	7.9 Ω
MF Nominal Power Handling ⁶	90 W
MF Continuous Power Handling ⁷	180 W
Sensitivity (1W/1m) ⁸	108.7 dB
MF Frequency Range	0.4 - 6.0 kHz
MF Voice Coil Diameter	76 mm (3.0 in)
MF Flux Density	1.93 T
MF Recommended Crossover ⁹	0.4 kHz
MF Inductance	0.26 mH
MF Winding Material	Aluminium
Diaphragm Material	HT Polymer
Magnet Material	Neodymium

MOUNTING AND SHIPPING INFO

Exit Size	225x25.6 mm (8.9x1 in)
Driver Diameter	130 mm (5.12 in)
Dimensions	250.3x240x120.1 mm (9.85x9.45x4.73 in)
Net Weight	3.28 kg (7.23 lb)

1. Waveguide mounted on 90°x10° bell horn.
2. AES Standard
3. Power on Continuous Program is defined as 3 dB greater than the Nominal rating.
4. Applied RMS Voltage is set to 2.83 V for 8 ohms Nominal Impedance.
5. 12 dB/oct. Or higher slope high-pass filter.
6. AES Standard
7. Power on Continuous Program is defined as 3 dB greater than the Nominal rating.
8. Applied RMS Voltage is set to 2.83 V for 8 ohms Nominal Impedance.
9. 12 dB/oct. Or higher slope high-pass filter.

B&C Speakers s.p.a.

Via Poggiomoro, 1 - Loc. Vallina, 50012 Bagno a Ripoli (FI) - ITALY - Tel. +39 055 65721 - Fax +39 055 6572312 - mail@bcspeakers.com