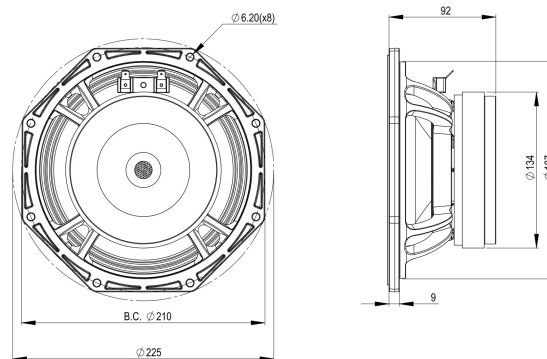


8FMB51

16Ω

LF Drivers - 8.0 Inches



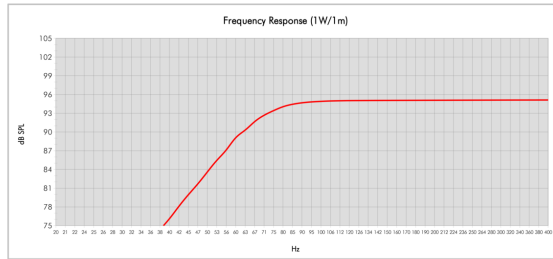
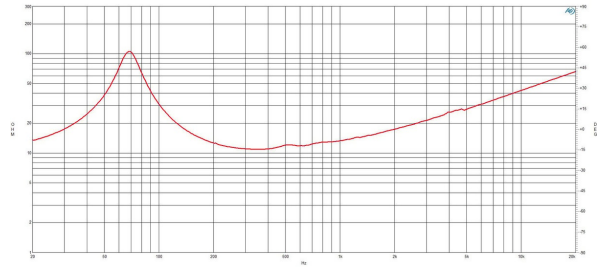
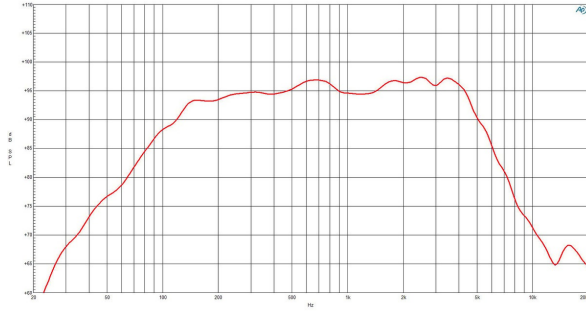
- 500 W continuous program power capacity
- 51 mm (2 in) aluminium voice coil
- 68 - 4500 Hz response
- 96 dB sensitivity
- Ventilated voice coil gap for reduced power compression



The FMB series mid-bass woofers from B&C Speakers offer acoustic designers a new range of high efficiency, wide bandwidth alternatives that are not currently available in the B&C range. These full-featured transducers incorporate lower cost ferrite motors, inside/outside wound copper clad aluminum wire voice coils, weatherproof impregnated paper cones, and a symmetrical inductance profile. The FMB Series is especially well suited for two-way loudspeaker enclosures.

8FMB51

LF Drivers- 8.0 Inches



Model: **8FMB5116**
 Enclosure Type: **Box Reflex** Configuration: **One Driver**
 Internal Net Volume (liters): **19** Q_B: **7**
 Tuning Frequency (Hz): **68** Port Area (cm²): **51.0**
 Frequency (-3 dB) (Hz): **68.9** Port Length (cm): **9.9**
 Frequency (-10 dB) (Hz): **52.5**

SPECIFICATIONS

Nominal Diameter	200 mm (8.0 in)
Nominal Impedance	16 Ω
Minimum Impedance	11.0 Ω
Nominal Power Handling ¹	250 W
Continuous power handling ²	500 W
Sensitivity (1W/1m) ³	96.0 dB
Frequency Range	68 - 4500 Hz
Voice Coil Diameter	51 mm (2.0 in)
Winding Material	Aluminium
Former Material	Glass Fibre
Winding Depth	15.0 mm (0.59 in)
Magnetic Gap Depth	8.0 mm (0.31 in)
Flux Density	1.19 T

DESIGN

Surround Shape	Triple Roll
Cone Shape	Curvilinear
Magnet Material	Ferrite Ring
Spider	Single
Pole Design	T-Pole
Woofer Cone Treatment	Waterproof Impregnated Cone
Recommended Enclosure	14.0 dm ³ (0.49 ft ³)
Recommended Tuning	80 Hz

PARAMETERS⁴

Resonance Frequency	68 Hz
Re	9.8 Ω
Q _{es}	0.43
Q _{ms}	4.1
Q _{ts}	0.39
V _{as}	20.5 dm ³ (0.72 ft ³)
S _d	227.0 cm ² (35.19 in ²)
η _o	1.4 %
X _{max}	± 5.5 mm
X _{var}	± 5.0 mm
M _{ms}	19.7 g
Bl	13.73 Txm
Le	0.83 mH
EBP	158 Hz

MOUNTING AND SHIPPING INFO

Overall Diameter	225 mm (8.86 in)
Bolt Circle Diameter	210 mm (8.27 in)
Baffle Cutout Diameter	187.0 mm (7.36 in)
Depth	92 mm (3.62 in)
Flange and Gasket Thickness	9 mm (0.35 in)
Air Volume Occupied by Driver	1.1 dm ³ (0.04 ft ³)
Net Weight	3.4 kg (7.5 lb)
Shipping Units	1
Shipping Weight	3.85 kg (8.49 lb)
Shipping Box	255x255x150 mm (10.04x10.04x5.91 in)

1. 2 hours test made with continuous pink noise signal within the range Fs-10Fs. Power calculated on rated minimum impedance. Loudspeaker in free air.
2. Power on Continuous Program is defined as 3 dB greater than the Nominal rating.
3. Applied RMS Voltage is set to 4 V for 16 ohms Nominal Impedance.
4. Thiele-Small parameters are measured after a high level 20 Hz sine wave preconditioning test.