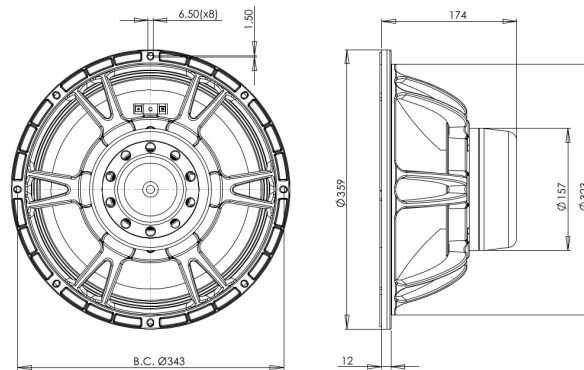


14NA100

8Ω**LF Drivers - 13.5 Inches**

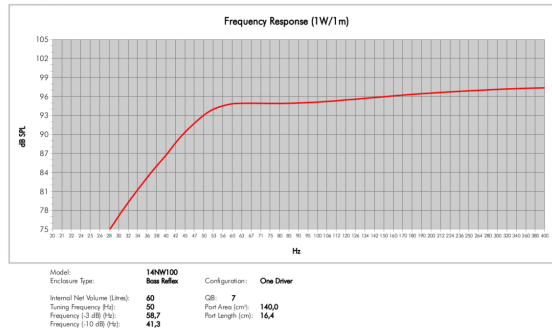
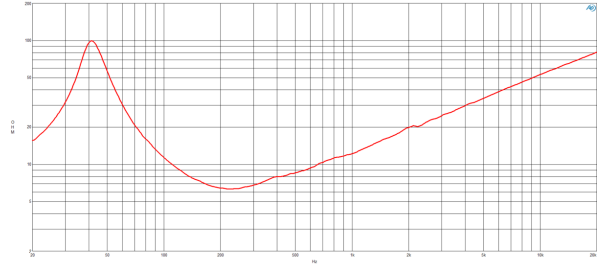
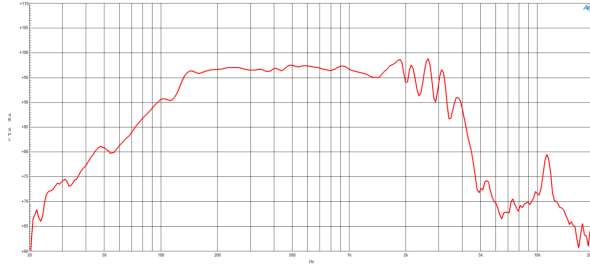
- 1600 W continuous program power capacity
- 100 mm (4 in) aluminum voice coil
- 45 - 2000 Hz response
- 99 dB sensitivity
- Aluminium demodulating ring allows a very low distortion figure
- Double silicone spider with optimized compliance
- Ventilated voice coil gap for reduced power compression



A four inch voice coil gives the 14NA100 mid-bass higher power handling and longer excursion capabilities, while an inside slug neodymium magnet provides high motor strength and efficiency. This all around performer is perfect for maximum output two way applications, especially thanks to its aluminum demodulating ring which reduces distortion and flattens impedance into the mid frequencies.

14NA100

LF Drivers- 13.5 Inches



SPECIFICATIONS

Nominal Diameter	359 mm (14.0 in)
Nominal Impedance	8 Ω
Minimum Impedance	6.2 Ω
Nominal Power Handling ¹	800 W
Continuous power handling ²	1600 W
Sensitivity (1W/1m) ³	99.0 dB
Frequency Range	45 - 2000 Hz
Voice Coil Diameter	100 mm (4.0 in)
Winding Material	Aluminium
Former Material	Glass Fibre
Winding Depth	23.0 mm (0.91 in)
Magnetic Gap Depth	11.0 mm (0.43 in)
Flux Density	1.15 T

DESIGN

Surround Shape	Triple Roll
Cone Shape	Radial
Magnet Material	Neodymium Inside Slug
Spider	Double Silicone
Pole Design	T-Pole
Woofer Cone Treatment	WP Waterproof Front Side
Recommended Enclosure	60.0 dm ³ (2.12 ft ³)
Recommended Tuning	50 Hz

PARAMETERS⁴

Resonance Frequency	43 Hz
Re	5.1 Ω
Q _{es}	0.24
Q _{ms}	5.6
Q _{ts}	0.23
V _{as}	99.5 dm ³ (3.51 ft ³)
S _d	707.0 cm ² (109.59 in ²)
η _o	3.1 %
X _{max}	± 8.8 mm
X _{var}	± 8.5 mm
M _{ms}	96.5 g
Bl	23.5 Txm
Le	0.74 mH
EBP	179 Hz

MOUNTING AND SHIPPING INFO

Overall Diameter	359 mm (14.13 in)
Bolt Circle Diameter	343 mm (13.5 in)
Baffle Cutout Diameter	324.0 mm (12.76 in)
Depth	176 mm (6.93 in)
Flange and Gasket Thickness	12 mm (0.47 in)
Air Volume Occupied by Driver	3.5 dm ³ (0.12 ft ³)
Net Weight	8.3 kg (18.3 lb)
Shipping Units	1
Shipping Weight	9.6 kg (21.16 lb)
Shipping Box	425x425x224 mm (16.73x16.73x8.82 in)

SERVICE KIT

Recone kit	RCK14NA1008
------------	-------------

B&C Speakers s.p.a.

Via Poggiomoro, 1 - Loc. Vallina, 50012 Bagno a Ripoli (FI) - ITALY - Tel. +39 055 65721 - Fax +39 055 6572312 - mail@bcspeakers.com

1. 2 hours test made with continuous pink noise signal within the range F_s -10 F_s . Power calculated on rated minimum impedance. Loudspeaker in free air.
2. Power on Continuous Program is defined as 3 dB greater than the Nominal rating.
3. Applied RMS Voltage is set to 2.83 V for 8 ohms Nominal Impedance.
4. Thiele-Small parameters are measured after a high level 20 Hz sine wave preconditioning test.