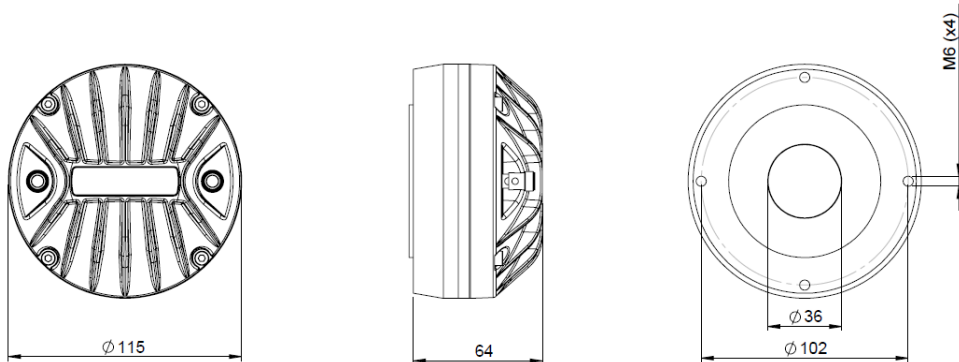


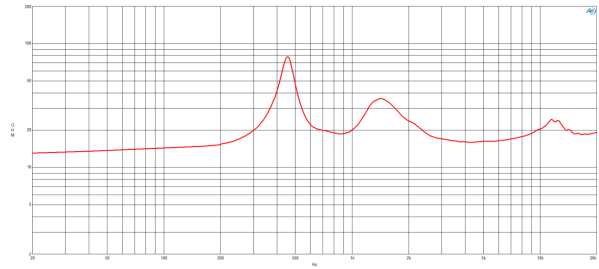
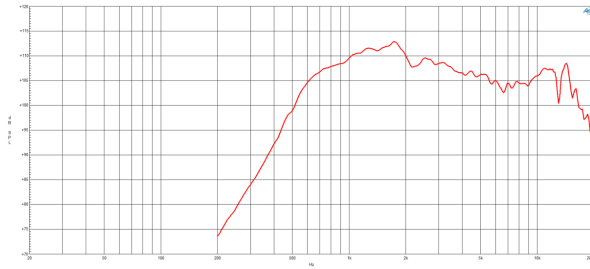
DE991TN

16Ω**HF Drivers - 1.4 Inches**

- 200 W continuous program power capacity
- 1.4" horn throat diameter
- 86 mm (3.4 in) aluminium voice coil
- Titanium diaphragm
- 800 - 17000 Hz response
- 108 dB sensitivity
- Neodymium magnet assembly with shorting copper cap

DE991TN

HF Drivers- 1.4 Inches



SPECIFICATIONS¹

Throat Diameter	36 mm (1.4 in)
Nominal Impedance	16 Ω
Minimum Impedance	16.0 Ω
Nominal Power Handling ²	100 W
Continuous power handling ³	200 W
Sensitivity (1W/1m) ⁴	108.0 dB
Frequency Range	0.8 - 17.0 kHz
Recommended Crossover ⁵	1.0 kHz
Voice Coil Diameter	86 mm (3.39 in)
Winding Material	Aluminium
Inductance	0.11 mH
Diaphragm Material	Titanium
Flux Density	1.94 T
Magnet Material	Neo Inside Ring

MOUNTING AND SHIPPING INFO

Four M6 holes 90° on 102 mm (4 in) diameter	
Overall Diameter	115 mm (4.53 in)
Depth	63 mm (2.48 in)
Net Weight	2.0 kg (4.41 lb)
Other Details 4x M6 Mounting Studs with bolts and washers included	

1. Driver mounted on B&C ME 90 horn.
2. 2 hour test made with continuous pink noise signal within the range from the recommended crossover frequency to 20 kHz. Power calculated on rated minimum impedance.
3. Power on Continuous Program is defined as 3 dB greater than the Nominal rating.
4. Applied RMS Voltage is set to 4 V for 16 ohms Nominal Impedance.
5. 12 dB/oct. or higher slope high-pass filter.