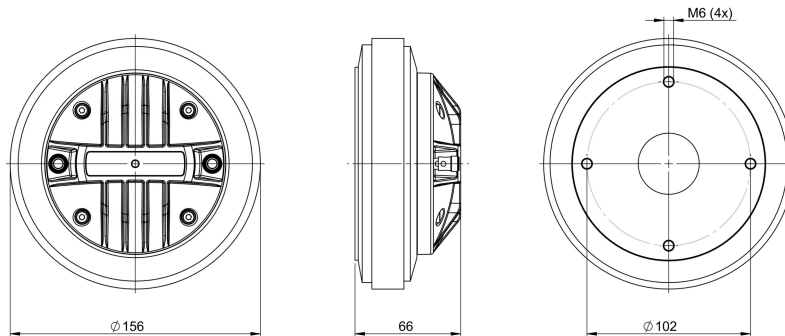


DE618TN

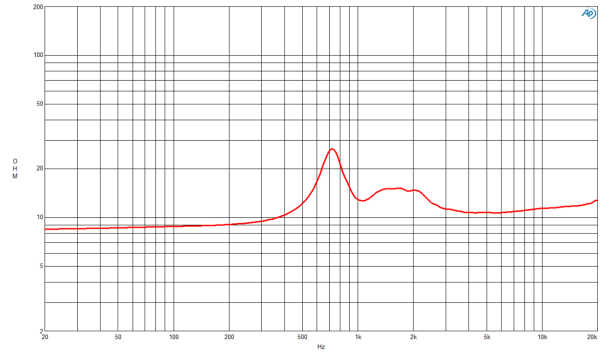
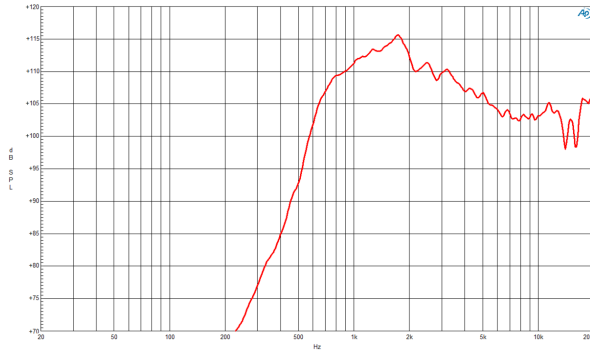
16Ω**HF Drivers - 1.4 Inches**

- 160 W continuous program power capacity
- 1.4" horn throat diameter
- 65 mm (2.5 in) aluminium voice coil
- Titanium diaphragm
- 1000 - 18000 Hz response
- 108.5 dB sensitivity
- Ferrite magnet assembly with shorting copper cap

The DE618TN is the ferrite magnet version of our premium DE680TN. The diaphragm in this model has been completely redesigned to incorporate a bent edge voice coil former, as well as new dome and surround geometry. These modifications combine to better control diaphragm displacement and deformations, resulting in lower distortion and a smoother higher frequency response above 10kHz.

DE618TN

HF Drivers- 1.4 Inches



SPECIFICATIONS¹

| | |
|--|----------------|
| Throat Diameter | 36 mm (1.4 in) |
| Nominal Impedance | 16 Ω |
| Minimum Impedance | 10.7 Ω |
| Nominal Power Handling ² | 80 W |
| Continuous power handling ³ | 160 W |
| Sensitivity (1W/1m) ⁴ | 108.5 dB |
| Frequency Range | 1.0 - 18.0 kHz |
| Recommended Crossover ⁵ | 1.2 kHz |
| Voice Coil Diameter | 65 mm (2.5 in) |
| Winding Material | Aluminium |
| Inductance | 0.15 mH |
| Diaphragm Material | Titanium |
| Flux Density | 1.65 T |
| Magnet Material | Ferrite |

MOUNTING AND SHIPPING INFO

| | |
|---|--|
| Four M6 holes 90° on 102 mm (4 in) diameter | |
| Overall Diameter | 156 mm (6.14 in) |
| Depth | 66 mm (2.6 in) |
| Net Weight | 3.8 kg (8.38 lb) |
| Shipping Units | 1 |
| Shipping Weight | 3.92 kg (8.64 lb) |
| Shipping Box | 190x190x80 mm (7.48x7.48x3.15 in) |
| Other Details | 4x M6 Mounting Studs with bolts and washers included |

SERVICE KIT

| | |
|-----------------------|------------|
| Replacement diaphragm | MMD25BTN8M |
|-----------------------|------------|

1. Driver mounted on B&C ME 90 horn.
2. 2 hour test made with continuous pink noise signal within the range from the recommended crossover frequency to 20 kHz. Power calculated on rated minimum impedance.
3. Power on Continuous Program is defined as 3 dB greater than the Nominal rating.
4. Applied RMS Voltage is set to 4 V for 16 ohms Nominal Impedance.
5. 12 dB/oct. or higher slope high-pass filter.