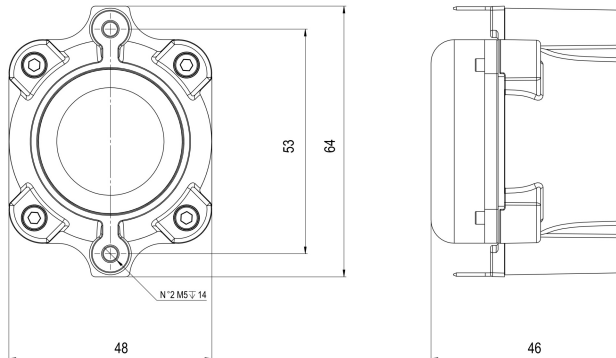


DH350

4Ω

HF Drivers - 1.0 Inches



- Ultra Compact 48mm diameter
- 40 W continuous program power capacity
- 1" horn throat diameter
- 36 mm (1.4 in) aluminium voice coil
- HT Polymer diaphragm
- 1000 - 17000 Hz response
- 108 dB sensitivity



The Helical Approach

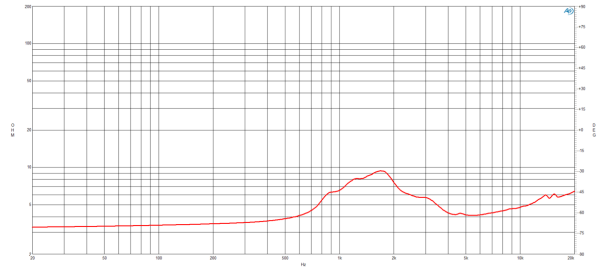
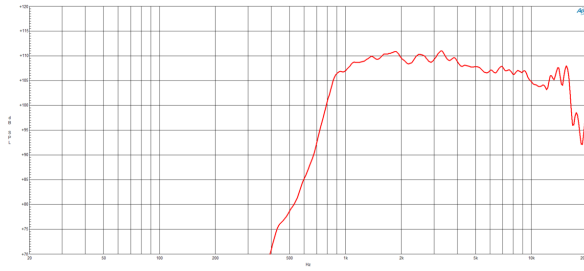
B&C has a reputation for performance, by turning the limits of traditional compression driver design on their head. HLX™ : Compression driver efficiency in miniature. The HLX™ phase plug (US and EP Patents Pending) has a central channel that is twisted, like DNA, to gain the length required to match the outer channels. This technique works with standard, cost-effective injection mold tooling and plastics by rotating the inner die along a screw profile. The convex dome design, so achieved, has a number of significant cost and performance advantages.

- Minimized diameter, weight, and cost
- Increased diaphragm area
- Low, ~1kHz Crossover point
- Reduced distortion, especially intermodulation distortion
- More efficient magnetic flux use



DH350

HF Drivers- 1.0 Inches



SPECIFICATIONS¹

Throat Diameter	25 mm (1.0 in)
Nominal Impedance	4 Ω
Minimum Impedance	4.1 Ω
Nominal Power Handling ²	20 W
Continuous power handling ³	40 W
Sensitivity (1W/1m) ⁴	108.0 dB
Frequency Range	1.0 - 17.0 kHz
Recommended Crossover ⁵	1.0 kHz
Voice Coil Diameter	36 mm (1.4 in)
Winding Material	Aluminium
Inductance	0.06 mH
Diaphragm Material	HT Polymer
Flux Density	1.8 T
Magnet Material	Neodymium Inside Slug

MOUNTING AND SHIPPING INFO

Two M5 holes 180° on 53 mm (2.09 in) diameter.

Diameter is 64mm at widest point (driver rotated, across mounting studs).

Overall Diameter	48 mm (1.89 in)
Depth	46 mm (1.81 in)
Net Weight	0.25 kg (0.56 lb)

Other Details

One M5 threaded hole on the back of the magnet structure is available for the installation of an optional heat sink. Diameter is 69mm at widest point (driver rotated, across connection tabs).

1. Driver mounted on B&C ME 45 horn.
2. 2 hour test made with continuous pink noise signal within the range from the recommended crossover frequency to 20 kHz. Power calculated on rated minimum impedance.
3. Power on Continuous Program is defined as 3 dB greater than the Nominal rating.
4. Applied RMS Voltage is set to 2 V for 4 ohms Nominal Impedance.
5. 12 dB/oct. or higher slope high-pass filter.